

Technical Datasheet



Customer Item
No.:
Inquiry Date: 01/12/2025
Inquiry No.:
Quantity: 1

Quotation:
Item no.: 100
Date: 01/12/2025
Page: 1 / 4

Etabloc 065-040-125 GG 05172241
ETB 065-040-125-GGSBV10 WSEBS2HHB

Version No.: 0

Operating point 1 Dimensioning operating point

Operating conditions (purchaser requirements)

Fluid	Water, contaminated water	Vapour pressure determined	0.02337 bar.a
Fluid variant	Slightly contaminated water	Minimum inlet pressure required	-0.3 bar.r
Specified fluid temperature	20 °C	Specified ambient temperature	20 °C
Density Fluid handled	998 kg/m ³	Installation altitude above sea level	1,000 m
Kinematic viscosity Fluid handled	1 mm ² /s		

Operating conditions (performance)

Minimum permissible flow rate	6.507 m ³ /h	Pump speed	2,882 1/min
Minimum allowable mass flow rate	1.804 kg/s		
Maximum permissible flow rate	23.45 m ³ /h		
Pump set			
Maximum permissible flow rate	53.24 m ³ /h		
Maximum allowable mass flow rate	14.76 kg/s		
Maximum pressure determined at duty point	2.149 bar.r		
Shut-off head	23.77 m		
Head at maximum permissible flow rate Pump set	21.93 m		
Maximum head of characteristic curve	23.77 m		

Design data pump

Scope of supply Pump supplied by KSB	Pump + motor	Mains voltage	400 V
Pump standard	EN 733	Mains frequency	50 Hz
Shaft axis position	Horizontal	Minimum efficiency index MEI	0.7
Pump design	Close-coupled	Minimum permissible fluid temperature	0 °C
Pump system design	Single-pump system	Maximum permissible fluid temperature	60 °C
Pump direction of rotation, viewed from casing side	Counterclockwise	Quantity Stages, single-entry	1
Hydraulic impeller diameter	132 mm	Casing wear ring design suction-side	Casing wear ring flat
Impeller type	Radial, closed, multi-channel	Casing wear ring design discharge-side	Without
Free passage	9.6 mm	Installation chamber Casing cover	Conical (A-type cover)
Support foot	Yes	Bearing bracket size / shaft unit	25
		Pump directive	CE

Technical Datasheet



Customer Item
No.:
Inquiry Date: 01/12/2025
Inquiry No.:
Quantity: 1

Quotation:
Item no.: 100
Date: 01/12/2025
Page: 2 / 4

Etabloc 065-040-125 GG 05172241
ETB 065-040-125-GGSBV10 WSEBS2HHB

Version No.: 0

Nozzle connections pump

Nominal diameter Suction nozzle	DN 65	Nominal diameter Discharge nozzle	DN 40
Nominal pressure Suction nozzle	PN 16	Nominal pressure Discharge nozzle	PN 16
Suction nozzle position	Axial	Discharge nozzle position	0 deg
Suction nozzle design acc.to	EN1092-2	Discharge nozzle design acc.to	EN1092-2
Suction flange bolt hole pattern as per standard	EN1092-2	Discharge flange bolt hole pattern as per standard	EN1092-2
Flange facing type Inlet	Raised face (B,RF)		
Flange facing type Outlet	Raised face (B,RF)		

Auxiliary connections pump

1M Pressure gauge Discharge nozzle	Without	5B Venting and drain	G 1/4 Drilled and plugged
1M Pressure gauge Suction nozzle	Without		
6B Fluid Drain	G 1/4 Drilled and plugged		
6D Fluid Filling and venting	G 1/4 Drilled and plugged		

Shaft sealing

Shaft seal type	Single mechanical seal; seal chamber can be vented (A-type casing cover) - AV	Shaft seal code	Code 10
Operating mode of mechanical seal (function)	API plan 03	Shaft seal manufacturer inboard	KSB's choice
Determined pressure Seal chamber	1.44 bar.r	Mechanical seal type inboard	KSB's choice
		Material Shaft seal inboard	QQXGG

Technical Datasheet



Customer Item
No.:
Inquiry Date: 01/12/2025
Inquiry No.:
Quantity: 1

Quotation:
Item no.: 100
Date: 01/12/2025
Page: 3 / 4

Etabloc 065-040-125 GG 05172241
ETB 065-040-125-GGSBV10 WSEBS2HHB

Version No.: 0

Materials

Material Volute casing (102)	EN-GJL-250/A48 CL 35B	Material Bolts/Screws Volute casing (902.01)	8.8
Material Casing cover (161)	EN-GJL-250/A48 CL 35B	Material Nut Impeller fastening (920.95)	(ST)
Material Shaft	C45+N		
Material Impeller (230)	EN-GJL-250/A48 CL 35B		
Material Casing wear ring suction-side (502.01)	JL/LAMELLAR GRAPHITE CAST IRON		
Material Shaft protecting sleeve (523)	(CRNIMO ST INT)		
Material Static seal Discharge cover	DPAF DW001		
Material Drive lantern	EN-GJL-250/A48 CL 35B		

Driver

Electric motor, asynchronous	Yes	Rated speed Motor	2,870 1/min
Drive concept	Electric actuator	Number of motor poles	2
Drive standard, mechanical	IEC	Rated power Motor	2.2 kW
Drive standard electric	IEC	Rated voltage Motor	400 V
Motor bearing, insulated	No	Motor winding	230 / 400 V
Motor manufacturer	KSB's choice	Rated frequency Motor	50Hz
Customer supply Drive	No	Motor switching type	Star
Motor construction type	IM V1 (IM3011) IEC 60034-7	Rated current Motor	4.62 A
Motor size	90L	Starting current ratio Ia/In	8.7
Efficiency class	IE3 (Premium)	Cos phi at 4/4 load	0.86
Material motor housing	AL	Motor efficiency at 4/4 load	85.9 %
Enclosure Motor	IP55 (TEFC)	Limit value Maximum humidity Motor	30 g/m ³
Thermal class	155 (F) according to IEC 60085	Marking according to directive Drive	CE
Temperature sensor motor	1 PTC thermistors		
Terminal box position of motor (looking at the motor shaft)	0 °		
Operation on a frequency inverter permitted	Yes (acc to motor manufact)		
Earthing connection 31M Drive	No		
Sound pressure level Motor	68 dBa		
Type series Motor manufacturer	Acc. to motor manufacturer (IEC, IE3)		

The values indicated are regarded as guaranteed values. They are applied to motors with a sinusoidal power supply within the permissible tolerances specified by IEC 60034-1. The values given on the name plate may be different.

Technical Datasheet



Customer Item
No.:
Inquiry Date: 01/12/2025
Inquiry No.:
Quantity: 1

Quotation:
Item no.: 100
Date: 01/12/2025
Page: 4 / 4

Etabloc 065-040-125 GG 05172241
ETB 065-040-125-GGSBV10 WSEBS2HHB

Version No.: 0

Coating

Aggregate

Surface preparation	Free from dirt, grease, rust
Properties Primer coat	Hydro dip primer, water-dilutable
Thickness Primer coat	60 µm
Properties Top coat	Acrylate dispersion water-thinned
Thickness Top coat	40 µm
Colour Top coat	RAL5002 Ultramarine Blue
Colour Top coat Drive	RAL5002 Ultramarine Blue

Energy cost and Environmental Impact

Result

Estimated Product Carbon Footprint (cradle-to-gate) (CO₂eq) 250 kg

*

*is based on the product weight assuming typical material proportions. The conversion rate between product weight and CO₂ emissions is based on several life cycle analyses in acc. with ISO 14040 / 44 of sample products from the same series. The objective and scope of these LCAs was limited to the manufacturing phase (cradle-to-gate). With regard to the 'inputs', all materials, energy and auxiliary materials were taken into account; with regard to the 'outputs', emissions, scrap and waste were considered. The influence of outgoing logistics is not covered. The input variables of the analyses cover at least 95% of the total weight. The analysis focusses on the global warming potential (EF3.0 Climate Change - total).

Packaging

Suitable for transport	Truck transport
Suitable for storage	Indoor storage
Packaging category	KSB's choice (A0)

Order related documents

Detail drawing Mechanical seal	No
--------------------------------	----

Performance Curve (Pump)

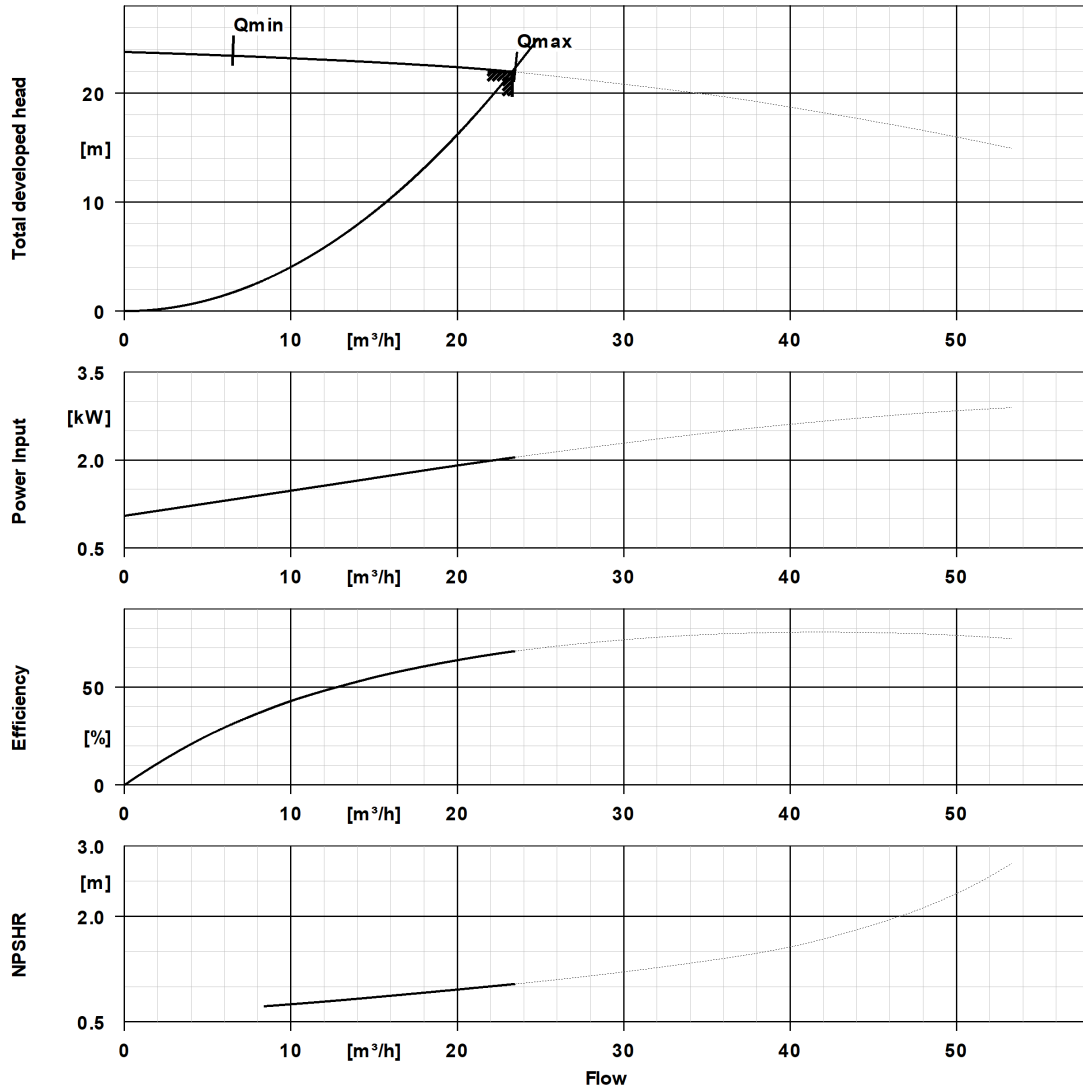


Customer Item No.:
 Inquiry Date: 01/12/2025
 Inquiry No.:
 Quantity: 1

Quotation: Item no.: 100
 Date: 01/12/2025
 Page: 1 / 2

Etabloc 065-040-125 GG 05172241
 ETB 065-040-125-GGSBV10 WSEBS2HHB

Version No.: 0



Curve Data

Pump speed 2,882 1/min
 Density Fluid handled 998 kg/m^3
 Kinematic viscosity Fluid handled 1 mm^2/s
 Minimum permissible flow rate 6.51 m^3/h
 Minimum allowable mass flow rate 1.804 kg/s
 Maximum permissible flow rate Pump set 23.45 m^3/h
 Maximum permissible flow rate 53.2 m^3/h
 Maximum allowable mass flow rate 14.76 kg/s
 Head at maximum permissible flow rate Pump 21.9 m

Minimum efficiency index MEI
 Hydraulic impeller diameter
 Hydraulic values according to

0.7
 132 mm
 EN ISO 9906
 Class 3B

Performance Curve (Pump)



Customer Item

No.:

Inquiry Date: 01/12/2025

Inquiry No.:

Quantity: 1

Quotation:

Item no.: 100

Date: 01/12/2025

Page: 2 / 2

Etabloc 065-040-125 GG 05172241
ETB 065-040-125-GGSBV10 WSEBS2HHB

Version No.: 0

set

Maximum head of characteristic curve 23.8 m

Installation plan

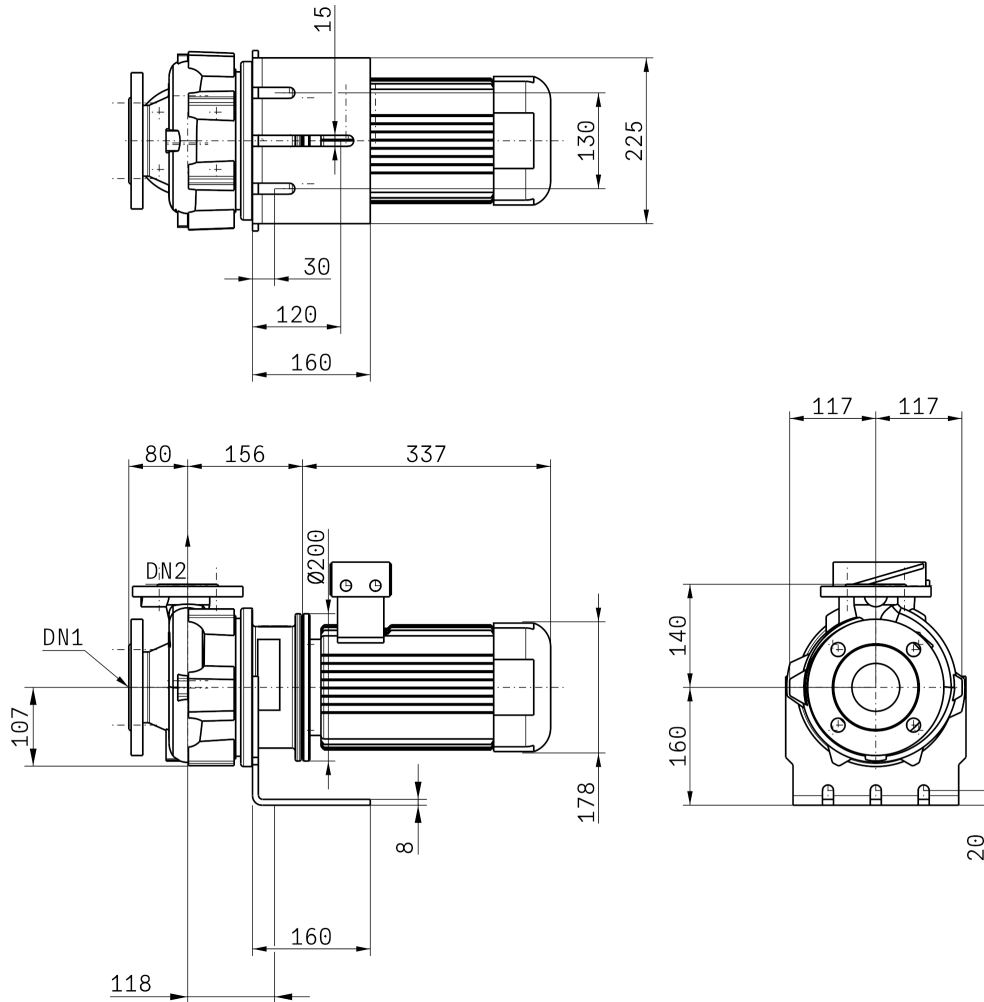


Customer Item No.:
 Inquiry Date: 01/12/2025
 Inquiry No.:
 Quantity: 1

Quotation:
 Item no.: 100
 Date: 01/12/2025
 Page: 1 / 2

Etabloc 065-040-125 GG 05172241
 ETB 065-040-125-GGSBV10 WSEBS2HHB

Version No.: 0



Drawing is not to scale.

Dimensions are given in mm

Motor

Motor manufacturer	KSB's choice
Motor size	90L
Rated power Motor	2.2 kW
Number of motor poles	2
Rated speed Motor	2,870 1/min
Terminal box position of motor (looking at the motor shaft)	0°

Connections

Nominal diameter Suction nozzle	DN 65
Suction flange bolt hole pattern as per standard	EN1092-2
Nominal diameter Discharge nozzle	DN 40
Discharge flange bolt hole pattern as per standard	EN1092-2
Nominal pressure Suction nozzle	PN 16
Nominal pressure Discharge nozzle	PN 16

Installation plan



Customer Item
No.:
Inquiry Date: 01/12/2025
Inquiry No.:
Quantity: 1

Quotation:
Item no.: 100
Date: 01/12/2025
Page: 2 / 2

Etabloc 065-040-125 GG 05172241
ETB 065-040-125-GGSBV10 WSEBS2HHB

Version No.: 0

Net weight

Total weight Pump	28.51 kg
Total weight Drive	22 kg
Total weight Pump set	50.51 kg

Connect pipelines stress-free

Dimensional tolerances for shaft axis height: DIN 747
Dimensions without tolerances, middle tolerances to: ISO 2768-m
Connection dimensions for pumps: EN735
Dimensions without tolerances - welded parts: ISO 13920-B
Dimensions without tolerances - gray cast iron parts: ISO 8062-CT9

Plan for additional connections see extra drawing