

VAB 125-100-260 1104MB T82MECCS OA

Vitacast Bloc - Hygienic centrifugal pump

Operating data

Requested flow rate		Actual flow rate	133.01 m ³ /h
Requested developed head		Actual developed head	20.00 m
Pumped medium	Soda lye	Efficiency	73.9 %
	Concentration up to 5%	Power absorbed	10.33 kW
	Not containing chemical and mechanical substances which affect the materials	Pump speed of rotation	1471 rpm
Ambient air temperature	20.0 °C	NPSH required	2.18 m
Fluid temperature	20.0 °C	Permissible operating pressure	10.00 bar.g
Fluid density	1054 kg/m ³	Discharge press.	2.07 bar.g
Fluid viscosity	1.20 mm ² /s	Min. allow. mass flow for continuous stable operation	4.35 kg/s
Suction pressure max.	0.00 bar.g	Shutoff head	23.94 m
Mass flow rate	38.94 kg/s	Max. allow. mass flow	53.21 kg/s
Max. power on curve	11.27 kW	Design	Single system 1 x 100 %
Min. allow. flow for continuous stable operation	14.87 m ³ /h		

Design

The pump conforms to the regulations of EGV 1935/2004.

Design	Close-coupled	Direction of rotation	Clockwise
Orientation	Horizontal	Spring Shrouding	open
Suction nominal dia.	DN 125	Material code	BQ1EGG
Suction nominal pressure	PN 10	Shaft seal code	T82
Suction position	axial	Sealing plan	B Dead-end
Connection standard	DIN 11851 (Milk thread)	Seal chamber design	Standard seal chamber
Discharge nominal dia.	DN 100	Impeller diameter	260.0 mm
Discharge nominal pressure	PN 10	Free passage size	25.0 mm
Discharge position	top (0°/360°)	Direction of rotation from drive	Clockwise
Discharge flange drilled according to standard	DIN 11851 (Milk thread)	Silicon free pump assembly	Yes
Counter Flange	No	Bearing bracket construction	Close-coupled
Shaft seal	Single acting mechanical seal	Bearing type	Anti-friction bearings
Manufacturer	Roten	Lubrication type	Grease
Type	Uniten 5	Color	White aluminium (similar RAL 9006)
Mechanical Seal Form	Unbalanced	Support or motor foot	Motor foot
		Motor shroud	With
		Surface finish wetted parts	3.2 µm

VAB 125-100-260 1104MB T82MECCS OA

Vitacast Bloc - Hygienic centrifugal pump

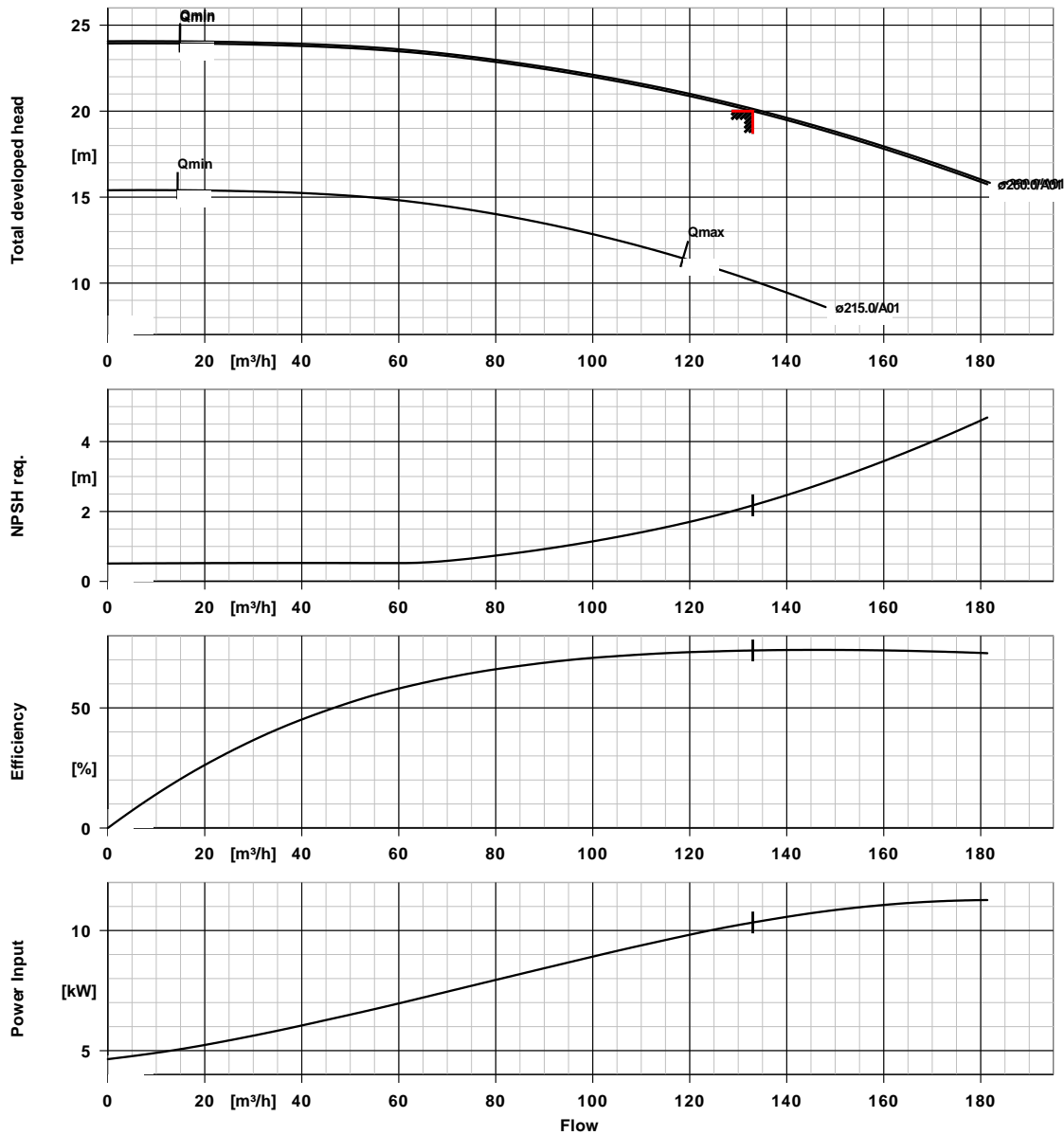
Driver, accessories

Driver type	Electric motor	Motor enclosure	IP55
Drive standard mech.	IEC	Cos phi at 4/4 load	0.80
Model (make)	KSB-Motor	Motor efficiency at 4/4 load	91.4 %
Drive supplied by	Standard motor supplied by KSB - mounted by KSB	Temperature sensor	3 PTC resistors
Motor const. type	V15	Terminal box position	0°/360° (top) Viewed from the drive
Motor size	160M	Motor winding	400 / 690 V
Efficiency class	Efficiency class IE3 acc. to IEC60034-30-1	Number of poles	4
Motor speed	1472 rpm	Connection mode	Delta
Frequency	50 Hz	Motor cooling method	Surface cooling
Rated voltage	400 V	Motor material	Aluminium
Rated power P2	11.00 kW	Frequency inverter operation	FI allowed
Available reserve	6.47 %	Motor noise pressure level	68 dBa
Rated current	22.8 A	Motor data can vary from type plate information. Motor data describes KSB's choice functional specification and is used for pump selection.	
Starting current ratio	7.9		
Insulation class	F to IEC 34-1		

Materials C

Circular casing (103)	Stainless steel 1.4409	Taper locking ring (515)	Stainless steel 1.4301
Discharge cover (163)	Stainless steel 1.4409	Cover plate (68-3)	Stainless steel 1.4301
Shaft (210)	CrNiMo steel 1.4404	Motor shroud (683)	Stainless steel 1.4301
Impeller (230)	Stainless steel 1.4409	Impeller nut (922)	CrNiMo steel 1.4404
O-Ring (412)	EPDM 70 FDA		

VAB 125-100-260 1104MB T82MECCS OA
 Vitacast Bloc - Hygienic centrifugal pump



Curve data

Speed of rotation	1471 rpm	Requested developed head	20.00 m
Fluid density	1054 kg/m^3	Efficiency	73.9 %
Viscosity	1.20 mm^2/s	Power absorbed	10.33 kW
Flow rate	133.01 m^3/h	NPSH required	2.18 m
Requested flow rate	133.00 m^3/h	Curve number	VA-100260-1450
Total developed head	20.00 m	Effective impeller diameter	260.0 mm

Number: 4003949667

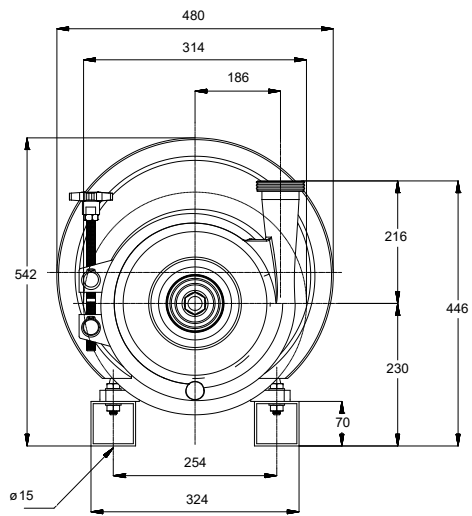
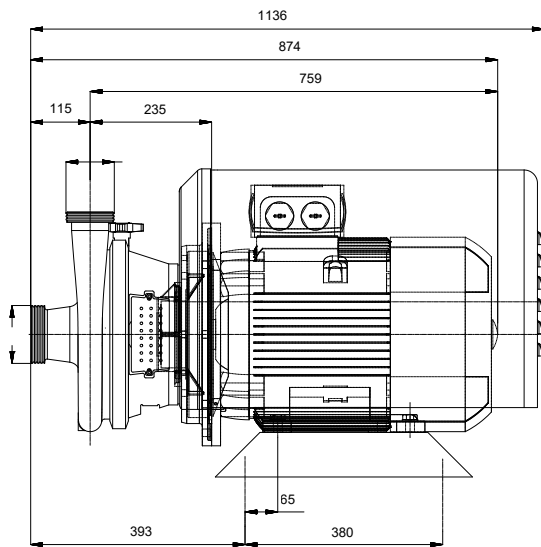
Item no.:100

Date: 05/02/2020

Page: 4 / 5

VAB 125-100-260 1104MB T82MECCS OA
 Vitacast Bloc - Hygienic centrifugal pump

Version no.: 2



Drawing is not to scale

Dimensions in mm

Motor

Motor manufacturer	KSB-Motor
Motor size	160M
Motor power	11.00 kW
Number of poles	4
Speed of rotation	1472 rpm
Position of terminal box	0°/360° (top)
	Viewed from the drive

Connections

Suction nominal size DN1	DN 125 / DIN 11851 (Milk thread)
Discharge nominal size DN2	DN 100 / DIN 11851 (Milk thread)
Nominal pressure suct.	PN 10
Rated pressure disch.	PN 10

Weight net

Pump	85 kg
Motor	88 kg
Total	173 kg

Connect pipes without stress or strain!

For auxiliary connections see separate drawing.

Connection plan

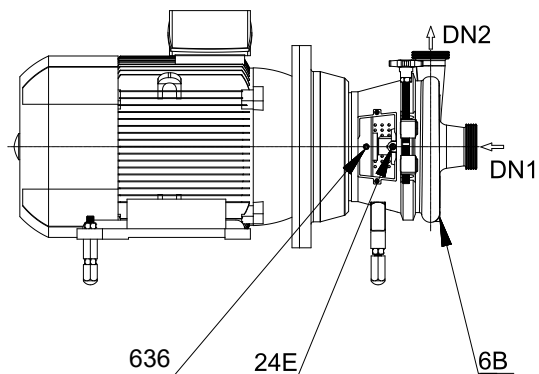
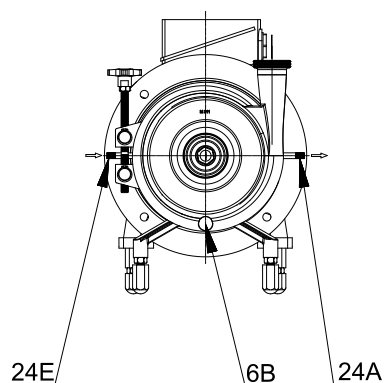


Customer item no.:
Communication dated: 05/02/2020
Doc. no.: CIP APOLLOS
Quantity: 1

Number: 4003949667
Item no.:100
Date: 05/02/2020
Page: 5 / 5

VAB 125-100-260 1104MB T82MECCS OA
Vitacast Bloc - Hygienic centrifugal pump

Version no.: 2



Connections

6B Pumped liquid drain	G 3/8	Not executed
24E/24A Quench liquid in/out	G 1/4	Not executed
10E/10A Sealing liquid in/out	G 1/4	Not executed
636 Lubrication for bearing		Grease nipple