

Amaprop V 45-1801/14 UPGIE3**Installation parts**

Scope of supply	Mixer without installation parts	Additional fastening set	Without
Type of Installation	free standing installation (AmaRoc)	Cone shaped cap	Without

Material variant

Axial propeller (ECB)	EP-GF	Motor housing	Grey cast iron EN-GJL-250
Gear casing	Grey cast iron EN-GJL-250	Shaft	Chrome steel 1.4122+QT750
Jet pipe	Without	Studs	A4
Gasket	FKM 80		

Design

Max. temperature	40.0 °C	Manufacturer	KSB
weight	175 kg	Type (propeller side)	MG
Type	Amaprop V 45 - 1801/ 1 4	Material code (propeller side)	SIC/SIC/FPM
Execution of drive	Gear	Mixer standard	KSB-Aggregate international execution
Number of blades	2		
Propeller diameter	1800.0 mm	Ex protection	No
Propeller speed	45 rpm	Norm	Without
Absorbed power P1 at operating point based on pure water	1.50 kW	Temperature classes aggregate	without
Shaft seal	2 mech. seals in tandem arrangement with oil reservoir	additional leakage control	Without
Sealing plan	T Tandem mechanical seal	Weight	175

Please note

KSB does not guarantee specific process results such as flow velocities, degrees of mixing, or deposit-free mixing. Furthermore, we shall not assume any liability if KSB mixers are used in patented processes and/or in case of protected rights of third parties. In the event of a warranty claim, the parts supplied must be dismantled and returned to KSB.

Amaprop V 45-1801/14 UPGIE3**Motor**

FI operation permitted	Yes (acc. motor manufacturer)	Moisture and motor temperature sensor	1
Driver type	Electric motor	Frequency	50 Hz
Motor manufacturer	KSB	Motor speed	1447 rpm
Motor generation	P	Rated current	3.0 A
Motor supplied by	Standard motor supplied by KSB - mounted by KSB	Starting current ratio	7.3
Efficiency class	IE3 acc. to IEC 60034-30	Insulation class	H according IEC 34-1
Rated voltage	400 V	Poles	4
Rated power	1.30 kW	Starting mode	Direct-on-line starting
Type of protection	Without	Operation with Frequency Inverter.	No
Motor enclosure	IP68	Cable design	Rubber hose
Temperature classes	without	Cable entry	Sealed along entire length
Temperature sensor	PTC resistor	Sales description power cable	S1BN8-F 7G1.5
Winding	400 V	Number of power cables	1
Connection mode	Star	Cable length	10.00 m
Cooling method	Surface cooling	Number of additional cable support including catch hook	0
Motor version	U		

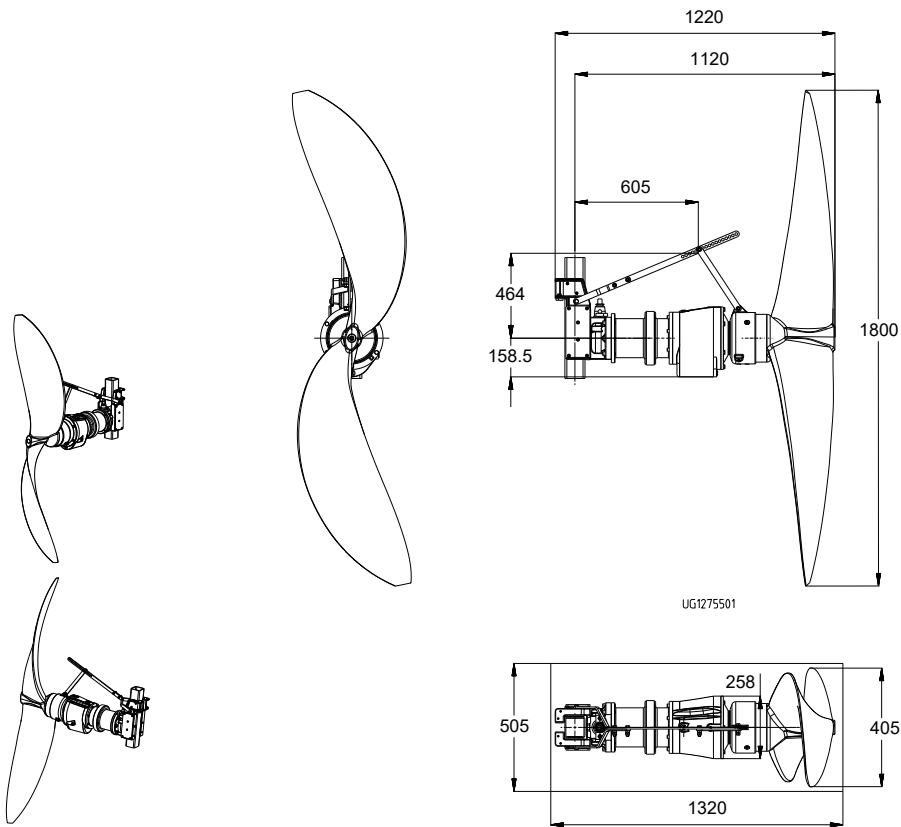
Nameplates

Nameplates language	International	Duplicate nameplate	With
---------------------	---------------	---------------------	------

Packaging

IPPC Standard ISPM 15	Yes	Packaging for transport	Truck
Packaging category	B1 Wooden or plywood case, cover provided with polypropylene cellular sheet, outdoor storage up to 3 months	Outdoor storage at -40°C to +50°C for up to 3 months. Packet must be covered. No corrosion protection, only transport protection.	
Packaging for storage	Indoor		

Amaprop V 45-1801/14 UPGIE3



Drawing is not to scale

Dimensions in mm