

Project  
 Customer pos.no  
 Project ID  
 Pos.no  
 Created by

Page 1 / 5  
 Created 2022-06-30  
 Update 2022-06-30

## Data sheet

### Pump type

### Amaline C 3033-960 /26UDG

#### Operating data

Flow	631,1	m <sup>3</sup> /h	Fluid		
Head	0,9	m	Density	1.010	kg/m <sup>3</sup>
Operating speed	945	1/min	Viscosity	3,12	mm <sup>2</sup> /s
Shaft power	2,5	kW	Temperature	20	°C
Efficiency	62,2	%	Hydraulic acceptance acc.	ISO 9906 § 4.4.2	
Shut off head	1,9	m			
Inlet chamber	Open inlet c				
Minimum water level		m			
Application range	Head		Flow		Minimum water level
	From	1,5 m	218,6	m <sup>3</sup> /h	---
	To	0,1 m	1.210,9	m <sup>3</sup> /h	m

#### Design

Design	Submersible pump			
Make	KSB		Impeller type	Axial impeller
Series	Amaline			Open
Frame size	300		Degree of propeller	17 °
Stages	1		Free passage	mm
Curve number	K43246n/0		Discharge column nominal size	300 mm
Type of bearings	Antifriction		Height of pump	mm
Nos. of bearings	1 / 1		Weight	58,5 kg
Lubrication	Grease lubrication, lubricated for lifetime			

#### Materials

Motor casing	Grey cast iron EN-GJL-250 (A 48 Class 35B)
Motor casing cover	Grey cast iron EN-GJL-250 (A 48 Class 35B)
Casing cover	Grey cast iron EN-GJL-250 (A 48 Class 35B)
Gear casing	
Taper piece	Polyurethane
Pump casing	Stainless steel EN-1.4571 (A 276 Type 316 Ti)
Motor shaft	Stainless steel EN-1.4571 (A 276 Type 316 Ti)
Gear unit output shaft	
Propeller	Stainless steel EN-1.4571 (A 276 Type 316 Ti)
Bolts, nuts	Stainless steel A4 (EN-1.4571) (A 276 Type 316)
O-Rings	Viton (FPM)

Project  
Customer pos.no  
Project ID  
Pos.no  
Created by

Page 2 / 5  
Created 2022-06-30  
Update 2022-06-30

## Data sheet

### Pump type

Amaline C 3033-960 /26UDG

### Shaft seal

Cable Entry  
Arrangement:  
Seal on medium side  
Mechanical seal, pump-side  
Mechanical seal, bearing-side

Double mechanical seal  
Tandem  
with elastomer bellows  
Silicon carbide / Silicon carbide  
Silicon carbide / Silicon carbide

### Monitoring

Thermal winding protection  
Explosion proof protection  
Motor housing monitoring  
Mechanical seal leakage detection  
Bearing temperature monitoring

By PTC thermistors  
By PTC (Explosion proof models only)  
By conductive moisture sensor electrode  
---  
---

### Coating

Preparatory treatment  
Blasting method  
Primer  
Dry film thickness primer  
Top coat  
Solids content  
Dry film thickness top coat  
Colour

Sa 2 1/2 to ISO 8501-1 / ISO 12 944-4 DIN 55928, Part 4  
Steel grit blasting  
Zinc phosphate or Zinc dust  
> 35 microns  
2-component epoxy resin  
> 82 %  
> 150 microns  
Ultramarine Blue (RAL 5002 to DIN 6174)

Project  
Customer pos.no  
Project ID  
Pos.no  
Created by

Page 2.1 / 5  
Created 2022-06-30  
Update 2022-06-30

## Pump type

## Amaline C 3033-960 /26UDG

### Installation

#### INSTALLATION

Type of installation: Horizontal wet-well installation

Connection pipe: DC\_DN 300

Submergence, min.: 650 mm

Minimum water level t1 in appl. Range:

Connection to connection pipe:

Bolt-free, by claw on pu

Guide rail: square pipe 60x60

Guide rail length: 6 m (20 ft)

Lifting device: Lifting clamp with hook and lifting rope

#### Materials:

Connection pipe: Stainless steel EN-1.4571 (A 276 Type 316 Ti)

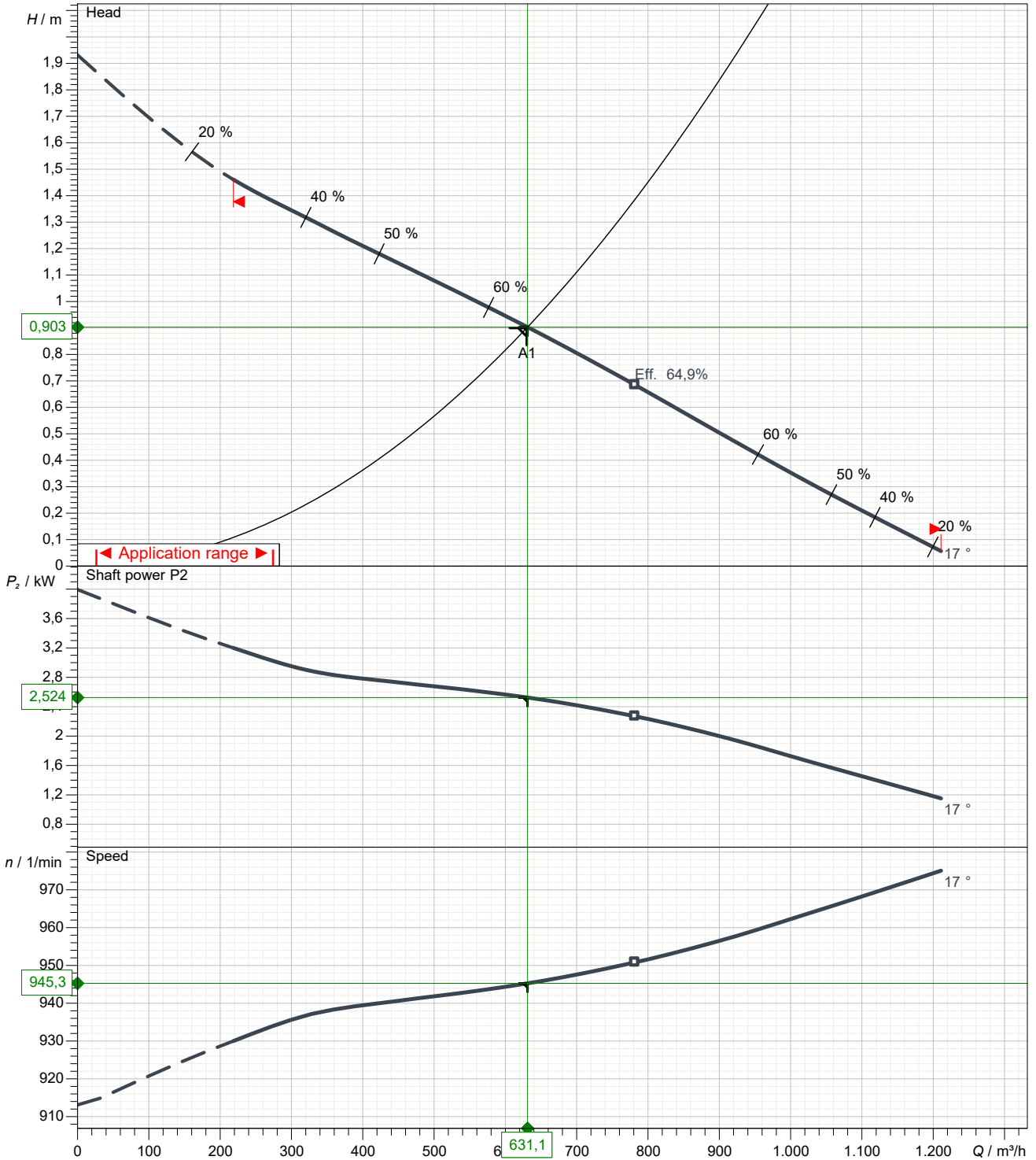
Guide rail: Stainless steel EN-1.4301 (A 276 Type 304)

Lifting rope: Stainless steel EN-1.4401 (A 276 Type 316)

Lifting clamp: Stainless steel EN-1.4571 (A 276 Type 316 Ti)

### Performance curve

### Pump type Amaline C 3033-960 /26UDG

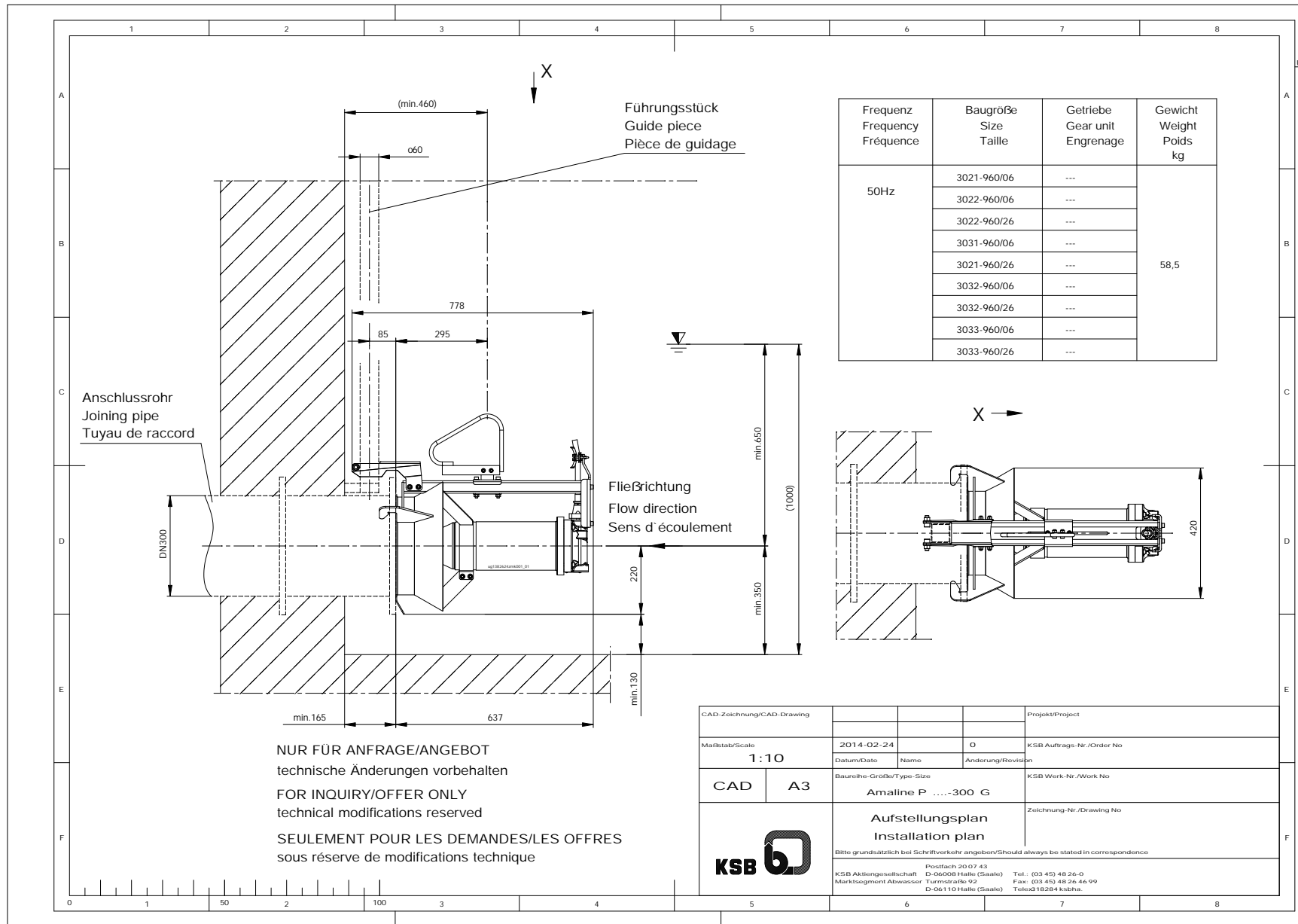


Impeller type	Axial impeller	, Open	Curve number	K43246n/0
Free passage	100 mm	Density	Frequency	50 Hz
Impeller size	300 mm	Viscosity	Speed	945,27 1/min

ISO 9906 § 4.4.2

2021/06/02 (Build 213), 32 bit R16.07.01 - 05-08-2021 ALL-World

2021/06/02 (Build 213), 32 bit R16.07.01 - 05-08-2021 ALL World



Project  
 Customer pos.no  
 Project ID  
 Pos.no  
 Created by



Page 6 / 6  
 Created 2022-06-30  
 Update 2022-06-30

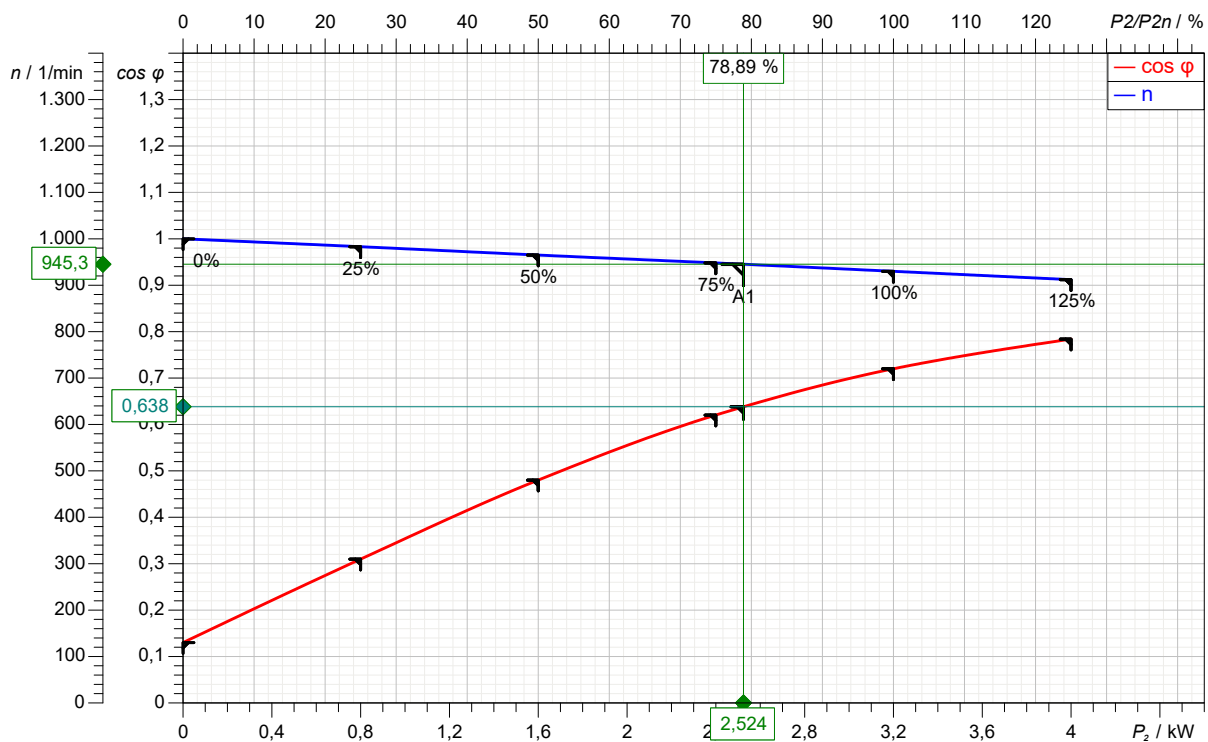
## Data sheet: motor data

### Motor type **26UDG**

Motor manufacturer	KSB SE & Co. KGaA	Rated voltage	400	V
Design acc. standard	-	Rated frequency	50	Hz
Degree of protection	IP68	Rated power P2	3,2	kW
Insulation class	F	Rated current	8,8	A
Coolant temperature	< / = 40 °C (104 °F)	Nominal speed	930	1/min
Starting mode	Direct starting	Starting to rated current	3,4	
No. starts / h	15	Starting current	29,9	A
		Max. voltage	420	V
		Min. voltage	380	V
Motor casing	Grey cast iron EN-GJL-250 (A 48 Class 35B)			
Explosion protection	--			
Pump type	Amaline C 3033-960 /26UDG			

Load	P1 kW	P2 kW	eta %	cos phi	I A
4/4	4,39	3,2	72,9	0,72	8,8
3/4	3,29	2,4	73,0	0,62	7,7
2/4	2,32	1,6	69,1	0,48	7,0
1/4	1,42	0,8	56,2	0,31	6,6

Main cable 1 x S1BN8-F 7G1.5 Diameter 13,20 mm...14,40 mm  
 Control cable --- Diameter  
 Cable, outer sheath Waterproof synthetic rubber compound  
 Cable length 10 m (33 ft)



2021/06/02 (Build 213), 32 bit R16.07.01 - 05-08-2021 ALL World