

ETL 032-032-160 GGS AV11D200074 BKSBIE3

Inline pump

Operating data

Pumped medium	Water	Actual flow rate	8.15 m ³ /h
	Clean water	Actual developed head	4.44 m
Pumped medium details	Not containing chemical and mechanical substances which affect the materials	Efficiency	57.4 %
		MEI (Minimum Efficiency Index)	≥ 0.70
Max. ambient air temperature	20.0 °C	Power absorbed	0.17 kW
Min. ambient air temperature	20.0 °C	Pump speed of rotation	1481 rpm
Fluid temperature	20.0 °C	NPSH required	1.16 m
Fluid density	998 kg/m ³	Permissible operating pressure	16.00 bar.g
Fluid viscosity	1.00 mm ² /s		
Suction pressure max.	0.00 bar.g	Discharge press.	0.43 bar.g
Mass flow rate	2.26 kg/s	Shutoff head	5.63 m
Max. power on curve	0.20 kW	Min. allow. flow for continuous stable operation	1.23 m ³ /h
Max. allow. mass flow Design	3.82 kg/s Single system 1 x 100 %	Min. allow. mass flow for continuous stable operation	0.34 kg/s
			Tolerances to ISO 9906 Class 3B; below 10 kW acc. to paragraph 4.4.2

Design

Pump standard	Without	Material code	BQ1EGG-WA
Caution: The overall length from suction to discharge can be different to the previous generation of Etaline.		Shaft seal code	11
Design	Close-coupled in-line	Sealing plan	Single-acting mechanical seal with vented chamber (A-type casing cover, taper bore)
Orientation	Vertical	A liquid free of solids is assumed	
Suction nominal dia.	DN 32	Seal chamber design	Conical seal chamber (A-type cover)
Suction nominal pressure	PN 16	Contact guard	With
Suction position	180° (down)	Wear ring	Casing wear ring
Suction flange drilled according to standard	EN1092-2	Impeller diameter	128.0 mm
Discharge nominal dia.	DN 32	Free passage size	5.4 mm
Discharge nominal pressure	PN 16	Direction of rotation from drive	Clockwise
Discharge position	top (0°/360°)	Silicon free pump assembly	Yes
Discharge flange drilled according to standard	EN1092-2	Bearing bracket construction	Close-coupled
Surface type	Raised face (form B to EN 1092)	Bearing bracket size	25
Shaft seal	Single acting mechanical seal	Bearing type	Anti-friction bearings
Shaft seal manufacturer	KSB	Lubrication type	Grease
Shaft seal type	1	Color	Ultramarine blue (RAL 5002) KSB-blue

ETL 032-032-160 GGS AV11D200074 BKS BIE3

Inline pump

Driver, accessories

Driver type	Electric motor	Temperature sensor	1 PTC resistor
Drive standard mech.	IEC	Terminal box position	0° same orientation
Model (make)	KSB-Motor		Viewed from the drive
Drive supplied by	Standard motor supplied by KSB - mounted by KSB	Motor winding	230 / 400 V
Motor const. type	V1	Number of poles	4
Motor size	080M	Connection mode	Star
Efficiency class	Efficiency class IE3 acc. to IEC60034-30-1	Motor cooling method	Surface cooling
Motor speed	1483 rpm	Motor material	Aluminium
Frequency	50 Hz	Frequency inverter operation	FI allowed
Rated voltage	400 V	allowed	
Rated power P2	0.75 kW	Motor noise pressure level	56 dBa
Available reserve	337.97 %	Motor data can vary from type plate information. Motor data describes KSB's choice functional specification and is used for pump selection.	
Rated current	1.9 A	CE-approval	Yes
Starting current ratio	7.5	EAC Approval	Yes
Insulation class	F to IEC 34-1	Condensat drain motor	Yes
Motor enclosure	IP55	Ambient temperature	40.0 °C
Cos phi at 4/4 load	0.81	Max. absolute humidity	30 %
Motor efficiency at 4/4 load	82.5 %	Temp. sensor mtr. bearing	Without
		UKCA conformity	Yes

Materials G**Notes 1**

General criteria for a water analysis: pH-value $\geq 6,5$; chloride content (Cl) ≤ 250 mg/kg. Chlorine (Cl₂) $\leq 0,6$ mg/kg.

Volute casing (102)	Grey cast iron EN-GJL-250/A48CL35B	Joint ring (411)	Steel ST
Casing cover (161)	Grey cast iron EN-GJL-250/A48CL35B	Casing wear ring (502.1)	Grey cast iron GG/CAST IRON
Shaft (210)	Tempered steel C45+N	Casing wear ring (502.2)	Grey cast iron GG/CAST IRON
Impeller (230)	Grey cast iron EN-GJL-250/A48CL35B	Shaft sleeve (523)	CrNiMo steel
Motor stool (341)	Grey cast iron EN-GJL-250/A48CL35B	Stud (902)	Steel 8.8
Flat gasket (400)	DPAF DW001	Impeller nut (922)	Steel 8
		Key (940)	Steel C45+C / A311 GR 1045 CLASS A

Packaging

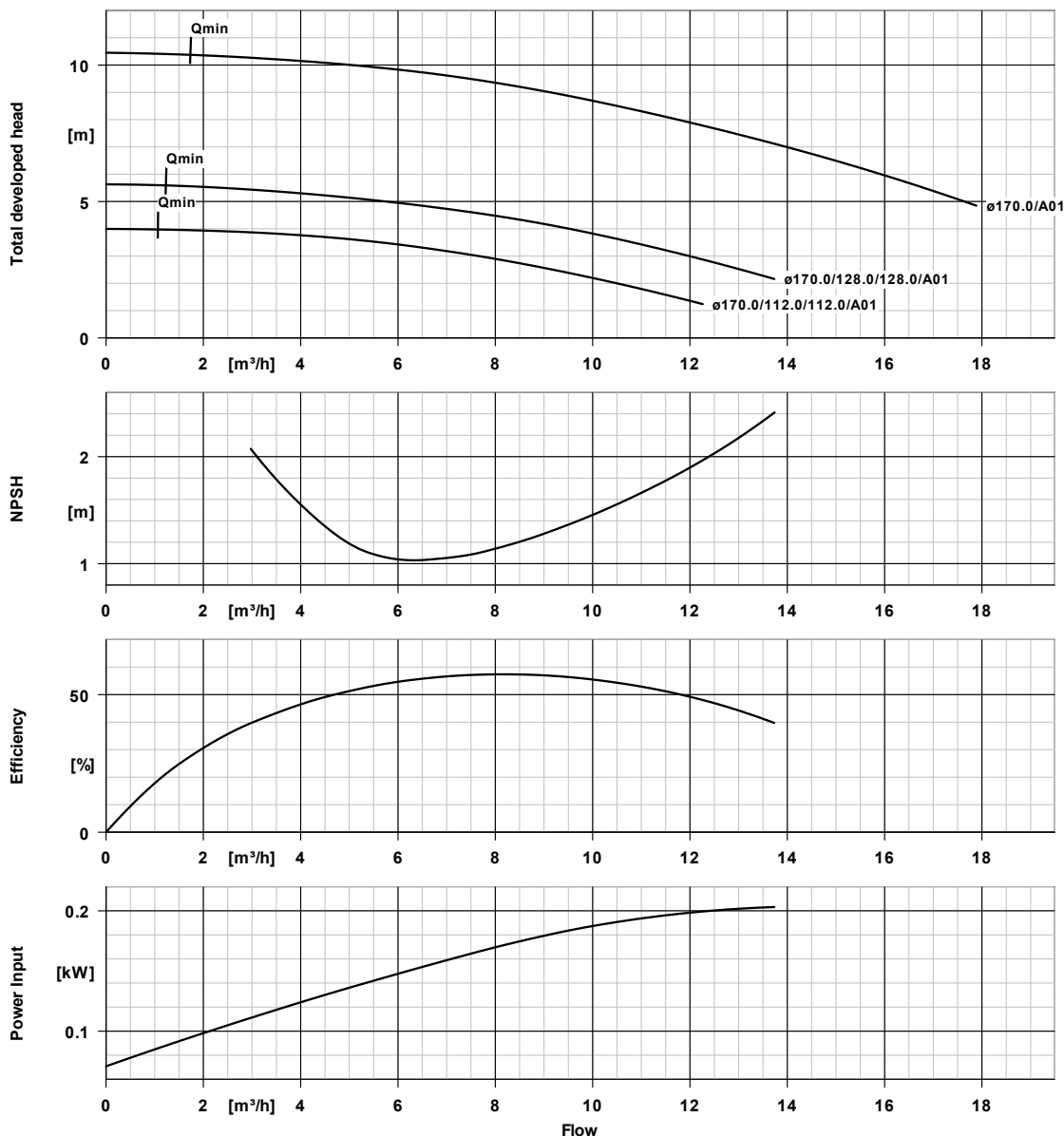
Packaging category	A0 Packing acc. to KSB choice	Packaging for transport	Truck
Packaging for storage	Indoor		

Nameplates

Nameplates language	International
---------------------	---------------

ETL 032-032-160 GGS AV11D200074 BKSBIE3

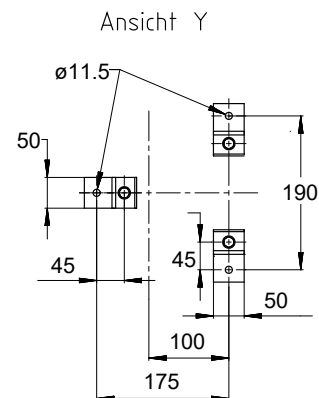
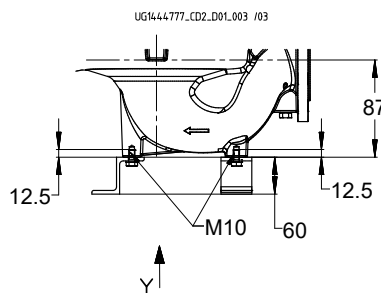
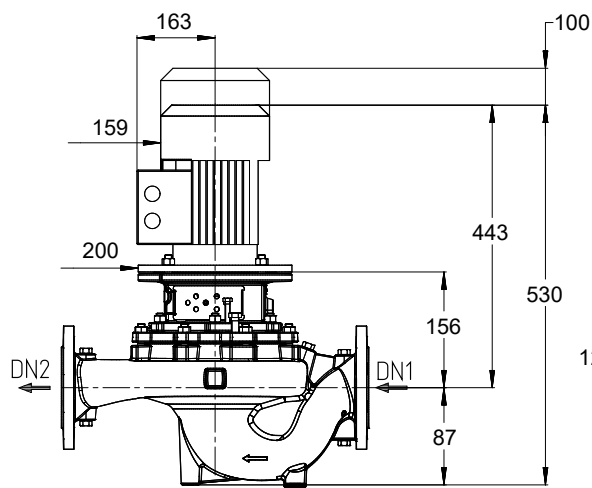
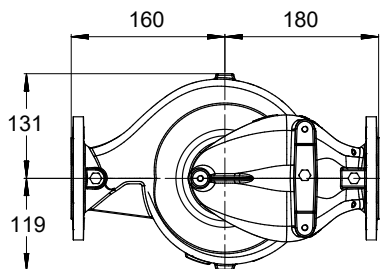
Inline pump



Curve data

Speed of rotation	1481 rpm	MEI (Minimum Efficiency Index)	≥ 0.70
Fluid density	998 kg/m³	Power absorbed	0.17 kW
Viscosity	1.00 mm²/s	NPSHR	1.16 m
Flow rate	8.15 m³/h	Curve number	K1159.454/18
Total developed head	4.44 m	Effective impeller diameter	128.0 mm
Efficiency	57.4 %	Acceptance standard	Tolerances to ISO 9906 Class 3B; below 10 kW acc. to paragraph 4.4.2

ETL 032-032-160 GGS AV11D200074 BKSBIE3
 Inline pump



Drawing is not to scale

Dimensions in mm

Motor

Motor manufacturer	KSB-Motor
Motor size	080M
Motor power	0.75 kW
Number of poles	4
Speed of rotation	1483 rpm
Position of terminal box	0° same orientation Viewed from the drive

Connections

Suction nominal size DN1	DN 32 / EN1092-2
Discharge nominal size DN2	DN 32 / EN1092-2
Nominal pressure suct.	PN 16
Rated pressure disch.	PN 16

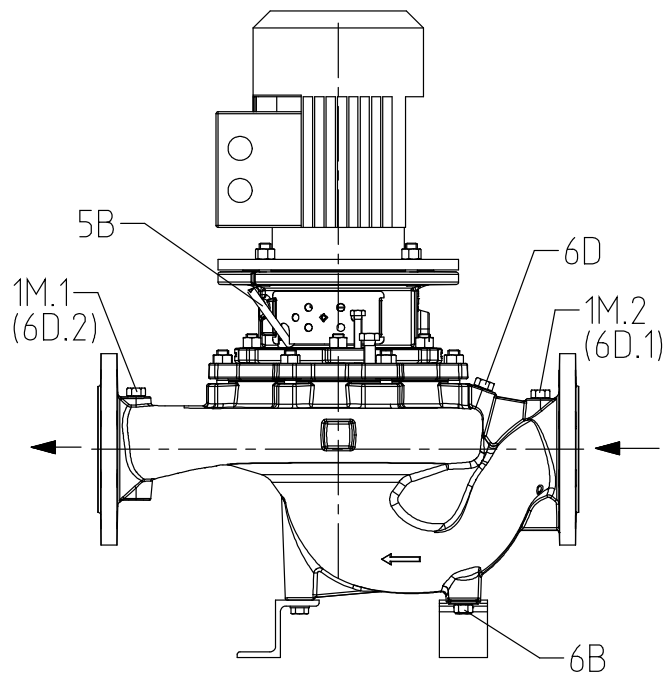
Weight net

Pump	20 kg
Motor	15 kg
Total	35 kg

Connect pipes without stress or strain!

For auxiliary connections see separate drawing.

ETL 032-032-160 GGSAV11D200074 BKSBIE3
 Inline pump



UG1444722_D01_003/ 02

Connections

Pump casing variant		XX46
1M.1 Pressure gauge connection	G 1/4	Drilled and plugged.
1M.2 Pressure gauge connection	G 1/4	Drilled and plugged.
6B Pumped liquid drain	G 1/4	Drilled and plugged.
6D Pumped medium - filling / venting	G 1/4	Drilled and plugged.
5B venting	G 1/4	Closed with venting plug